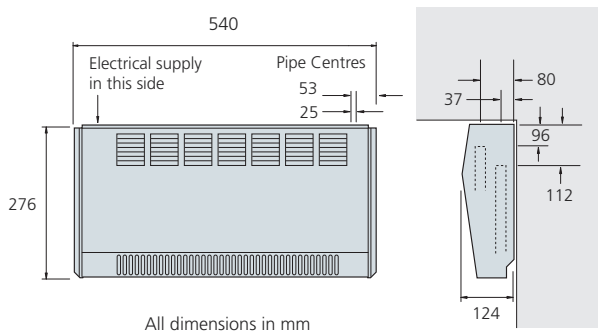


Wall-mounted fan convector that is ideal for home, office and a wide variety of other non-domestic applications. Models available for areas of high humidity such as bathrooms and swimming pool areas. Fitted unobtrusively above head height, Sterling makes maximum use of wall space with a safe, high-level heat source.



Sterling Hydronic

Sterling Hydronic 1000-240V, 1000-12V



Sterling Hydronic

Finish

Front casing: zinc-coated steel. Polyester powder-coated: textured white BS 4800 00A01 18% gloss.

Side panels: polymer eggshell white.

Installation

- Maximum installation height 2.1m (6'11") to underside
- No top or side clearance required
- Unit must be earthed (not 12 volt SELV)
- Suitable for two-pipe central heating systems only

Commissioning

Check water temperature is hot enough to activate low temperature cut-out (LTC). The inclusion of an automatic air vent at the highest point is recommended to avoid possible air locks.

Controls

Two rocker switches - normal/off/boost, heating/fan-only.

Low temperature cut-out thermostat set to energise fan at 35°C.

Accessory

Wall-mounted room thermostat.

Independent tests* show that fan convectors are at least 24% more energy efficient than a panel radiator in heating up a room.

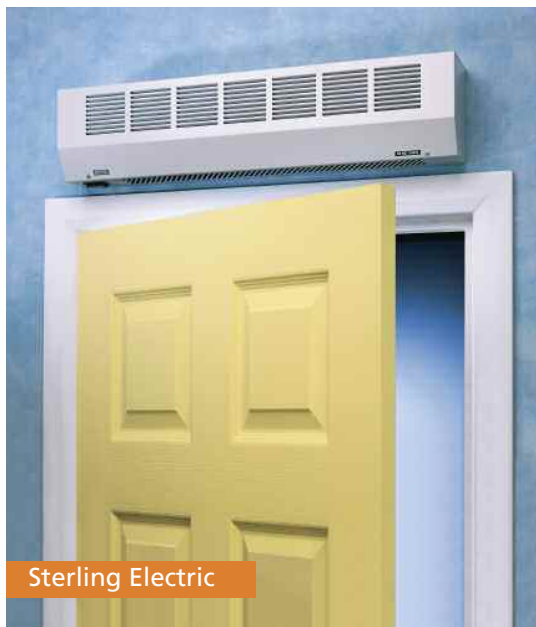
*Tests carried out by BSRIA (Building Services Research and Information Association) in August 2008

Model	Room Size Guide* (m ³)	Heat Output At 60°C		Heat Output At 50°C		Sound Levels		Casing Colour	Fan-Only
		Normal kW (Btu/h)	Boost kW (Btu/h)	Normal kW (Btu/h)	Boost kW (Btu/h)	Normal (dBA)	Boost (dBA)		
Hydronic									
Sterling 1000-240V	29	1.0 (3500)	1.4 (4700)	0.9 (3100)	1.1 (3800)	32	40	White	•
Hydronic Low Voltage									
Sterling 1000-12V	25	1.0 (3500)	1.4 (4700)	0.9 (3100)	1.1 (3800)	32	39	White	•
Electric									
Sterling E 2kW	29	1.0	2.0	1.0	2.0	40	40	White	•
Sterling E 2kW PC	25	1.0	2.0	1.0	2.0	40	40	White	n/a
Sterling E 4kW	-	2.0	4.0	2.0	4.0	47	47	White	•

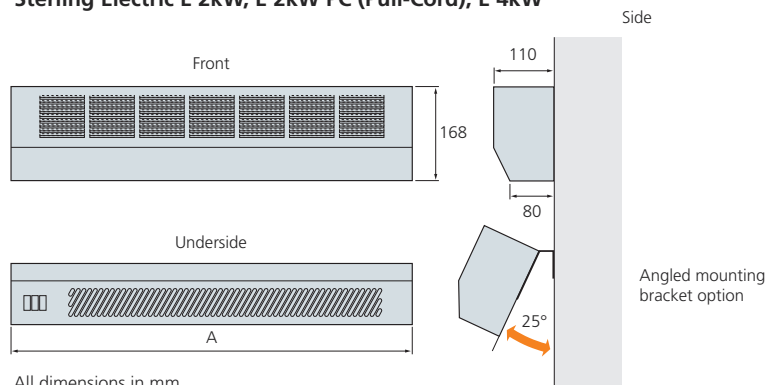
*Room sizes given in cubic metres for general guidance only based on normal heat output (At 60°C) for domestic applications - always calculate heat losses. At 60°C assumes a mean water temperature of 80°C and room temperature of 20°C. At 50°C assumes a mean water temperature of 70°C and room temperature of 20°C. Hydronic outputs tested in accordance with BS 4856. Sound levels measured at 1.5m.

Model	Flow & Return Connections	Mains Cable	Transformer	Flexible Hoses	Isolating Valves	Fused Spur	Power Consumption		Water Capacity (Litres)
							Normal Watts	Boost Watts	
Hydronic									
Sterling 1000-240V	15mm	1.5m	n/a	n/a	n/a	3A	20	25	0.28
Hydronic Low Voltage									
Sterling 1000-12V	15mm	0.45m	•	n/a	n/a	3A	20	25	0.28
Electric									
Sterling E 2kW	n/a	2.0m	n/a	n/a	n/a	10A	1012	2025	n/a
Sterling E 2kW PC	n/a	2.0m	n/a	n/a	n/a	10A	1012	2025	n/a
Sterling E 4kW	n/a	2.0m	n/a	n/a </td <td>n/a</td> <td>20A</td> <td>2025</td> <td>4045</td> <td>n/a</td>	n/a	20A	2025	4045	n/a

Model	A
Sterling 2kW & Pull-Cord Model	432
Sterling 4kW	741



Sterling Electric E 2kW, E 2kW PC (Pull-Cord), E 4kW



All dimensions in mm

Sterling Electric

Finish

Outer casing with inlet grille zinc-coated steel. Polyester powder-coated: textured white BS 4800 00A09 18% gloss.

Installation

- Maximum installation height 2.1m (6'11") to underside
- Minimum top clearance of 150mm required
- 25° angled mounting brackets supplied (optional fitting)
- Unit must be earthed

Controls

Rocker switches for fan and element 2kW and 4kW models.

Pull-cord for fan and element 2kW PC model.

Overheat protection: thermal cut-out.

Manual reset procedure: switch power off at unit or mains, wait 5 minutes, switch power on.

Room thermostats used in conjunction with 4kW models must be rated at 16A minimum.

Accessory

2kW models - wall-mounted room thermostat.